

FX10 Manual



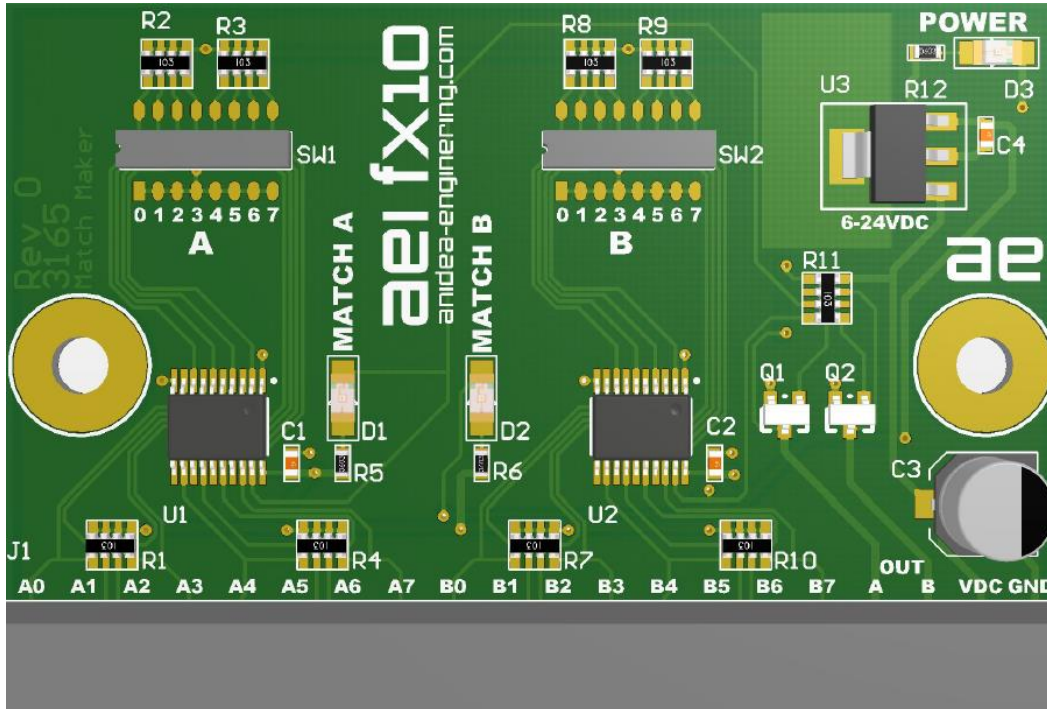
Table of Contents

Overview	2
Diagnostic LEDs.....	2
POWER	2
MATCH A.....	2
MATCH B.....	2
Pinout.....	2
Configuration	3
Bank A	3
Bank B	3
Example Wiring	4
Contact	5

Overview

The FX10 is used to detect the state of two banks of 8 digital inputs each. Configuration is made by setting the onboard DIP switches to the desired match pattern.

Diagnostic LEDs



POWER

This LED turns on when the unit is powered.

MATCH A

This LED turns on when the inputs on bank A match the A switch SW1.

MATCH B

This LED turns on when the inputs on bank B match the B switch SW2.

Pinout

Pin	Function
A0 – A7	Correlates to pins 0-7 on A switch
B0 – B7	Correlates to pins 0-7 on B switch
OUT A	Switches to VDC when A inputs match, otherwise grounded
OUT B	Switches to VDC when B inputs match, otherwise grounded
VDC	Voltage Input: +10-15VDC 24V version available upon request
GND	Ground

Configuration

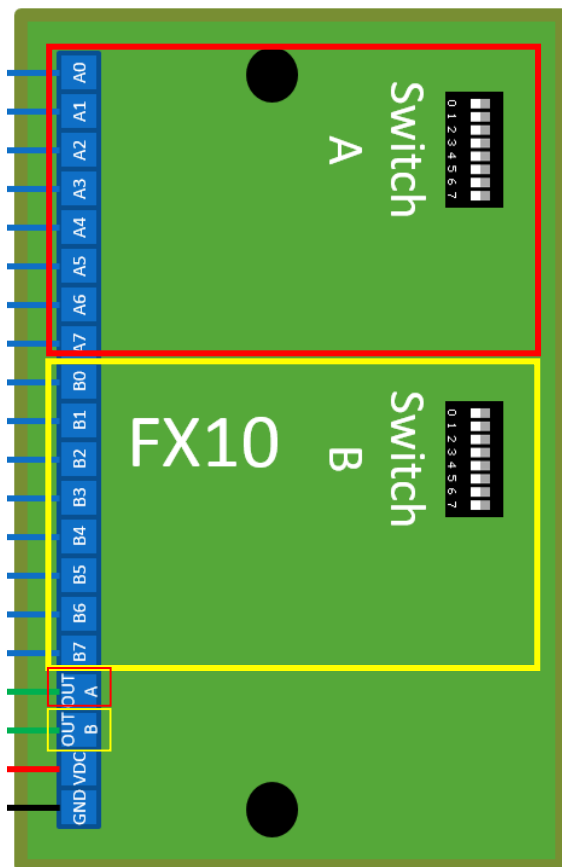
All inputs have pullup resistors tying them to VCC5. When the pin is floating (not connected to ground), it is considered on. When the pin is switched to ground, it is considered off.

Bank A

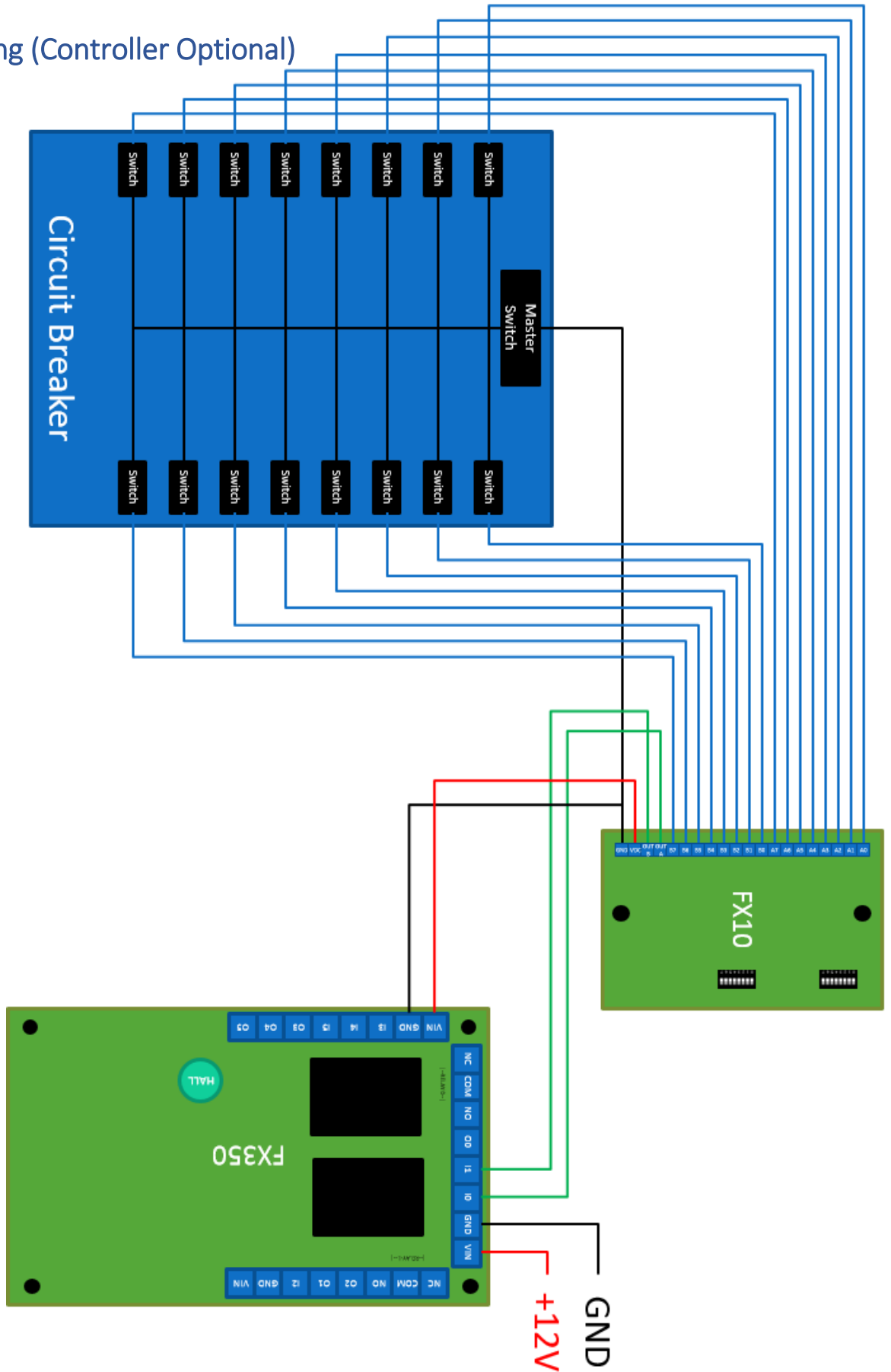
Bank A is configured by setting the DIP switch A and corresponds to the inputs A0-A7. When the input states of inputs A0-A7 match the switch settings, output A will switch high (to VIN). Otherwise output A will be switched low (to ground).

Bank B

Bank B is configured by setting the DIP switch B and corresponds to the inputs B0-B7. When the input states of inputs B0-B7 match the switch settings, output B will switch high (to VIN). Otherwise output B will be switched low (to ground).



Example Wiring (Controller Optional)



Contact

Web: www.escaperoomtechs.com

Email: support@escaperoomtechs.com

Phone: 561-708-0007

2018/07/02