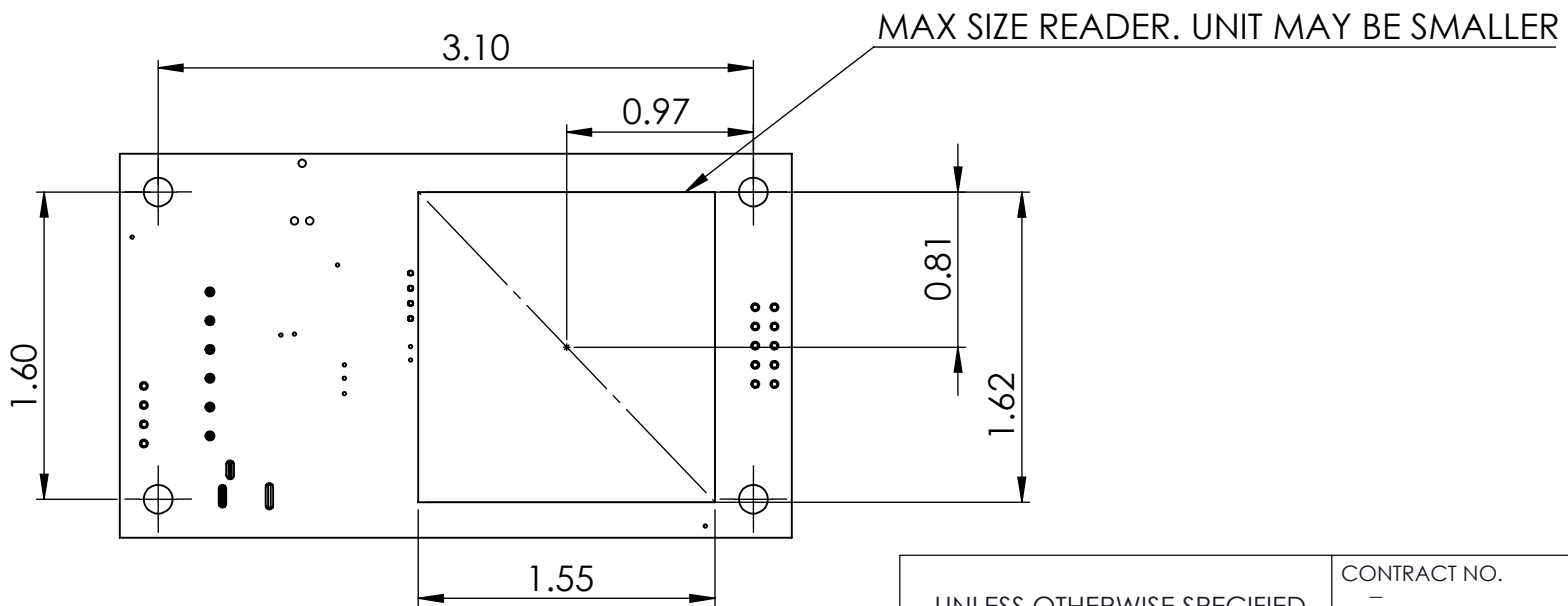
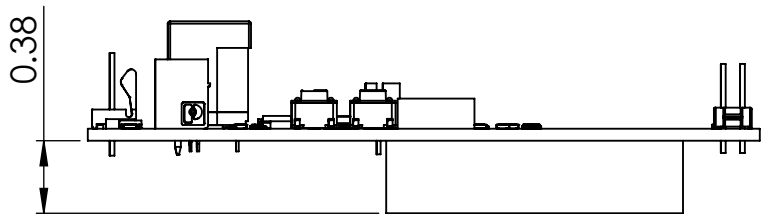
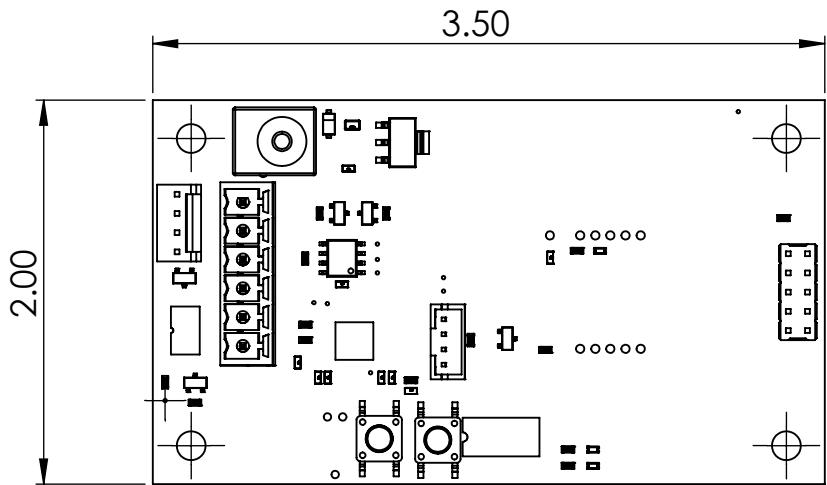


REVISIONS			
ZONE	REV.	DESCRIPTION	DATE



UNLESS OTHERWISE SPECIFIED  
DIM ARE IN INCHES  
TOL ON ANGLE +/- 0°30'  
2 PL +/- .03 3 PL +/- .010  
INTERPRET DIM AND TOL PER  
ASME Y14.5M

CONTRACT NO.		-	
DRAWN BY	DATE		
CDC			
CHECKED			
-			
ENGINEER			
CDC			
DRAWING APPROVAL			
-			
DESIGN APPROVAL			
-			
CONFIGURATION MANAGER			
-			
OTHER APPROVALS			

THE FOLLOWING ECO'S HAVE BEEN ATTACHED TO THIS PRINT							
ANIDEA-ENGINEERING 2755 VISTA PARKWAY SUITE 11 WEST PALM BEACH, FL 33411 561-383-7311				DESCRIPTION			
				AEI FX200 RFID BOARD			
SIZE	CAGE CODE	DWG NO.	REV				
B	-	AEI FX200	A				
SCALE		1:1		SHEET		1 of 1	

PROPRIETARY AND CONFIDENTIAL

THE INFORMATION CONTAINED IN THIS DRAWING IS THE SOLE PROPERTY OF ANIDEA ENGINEERING. ANY REPRODUCTION IN PART OR AS A WHOLE WITHOUT THE WRITTEN PERMISSION OF ANIDEA ENGINEERING IS PROHIBITED.

NEXT ASSY	USED ON
APPLICATION	

